



ELEGANT



VERSATILE



QUALITY AND
PERFORMANCE



Ditec Civik

Automation for interior sliding doors
The beauty of technology

EN

Ditec Civik



Glass walls and doors are a solution designed to meet the modern needs of interior architecture: they renew domestic and work environments with elegance, adding luminosity and a greater sense of space to rooms where they are placed.

For hideaway or sliding doors

With glass entire dividing walls, mobile walls and doors of all kinds can be made, including sliding or hideaway ones that add efficiency and comfort, above all in work environments, where passage is frequent.

Versatile

The Ditec Civik automation system is quiet and light, simple and versatile. It is suited perfectly to mounting on all kinds of frames, from those in glass, in wood to those in crystal, of which it exalts the refined beauty through a special mounting system and a technology that brings out the best qualities of this material.

Ditec Civik is equipped with a series of functions and accessories that exalt its efficiency and security, acting on the opening methods and times of the door, to enable the passage of people with reduced ability to move or bulky objects, guaranteeing perfect functioning also in momentary power cuts.



OUR EXPERIENCE AT YOUR SERVICE

A complete range. A team of specialists in the sector. Excellence in technologies and design. Passionate to be different.

Entrematic is a commercial partner with a complete range of products for the automation of entrances, which combines specialised know-how and very famous brands.

The **Ditec brand** has been a world leader for more than forty years, offering a complete range of automation systems for gates, automatic doors and high-speed doors.

Normstahl
ENTRE/MATIC

DYNACO
ENTRE/MATIC

NERGECO
ENTRE/MATIC

Ditec
ENTRE/MATIC

em
ENTRE/MATIC

Amarr
ENTRE/MATIC

KELLEY
ENTRE/MATIC

SERCO
ENTRE/MATIC

Silent and light



ELEGANT

- Sleek design
- Compact thanks to its 75 mm-high cover



VERSATILE

- Automation system applicable to generic frames, glass and wood wings
- PUSH&GO and PULL&CLOSE features



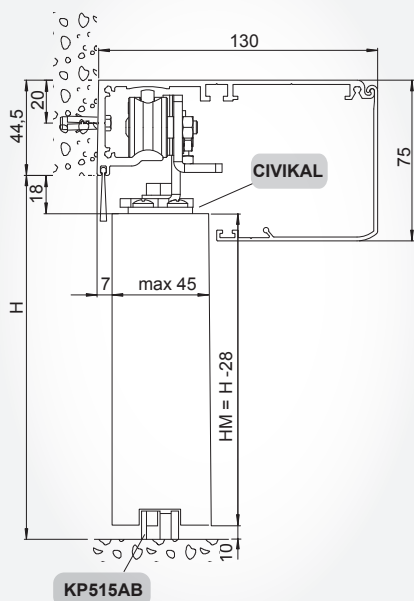
QUALITY AND PERFORMANCE

- Activated by sensors, pushbuttons or radio command (Entrematic ZEN remote control)

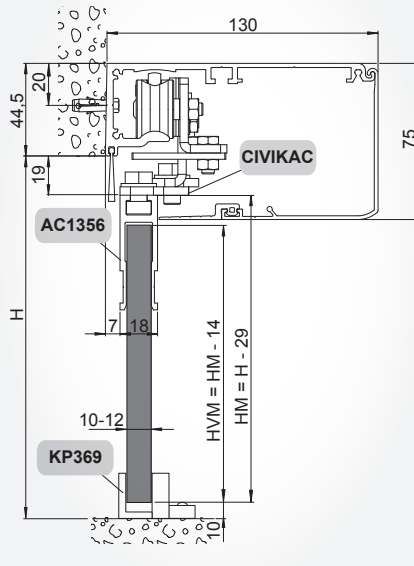


SECTIONS

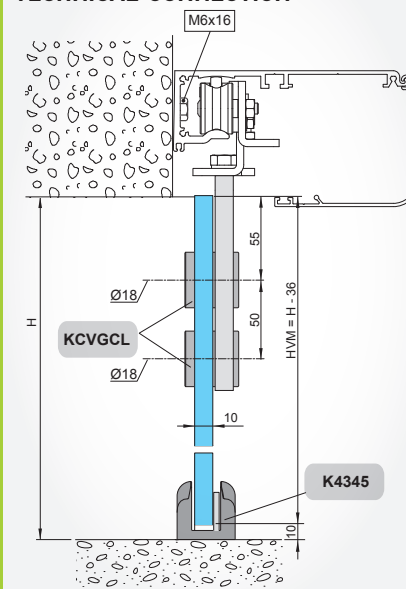
CIVIK WITH GENERIC FRAME



CIVIK WITH GLASS AND AC1356 WING



CIVIK WITH GLASS WING AND TECHNICAL CONNECTION



THE RIGHT ACCESSORIES ARE EASY TO CHOOSE

PID24

Proximity sensor



PFP1

Rectangular elbow pushbutton



OCL

Radio receiver kit complete with wiring and transmitter




PFP2

Stainless steel rectangular elbow pushbutton



Technical specifications of available models and main functions of the system

	CIVIK
Description	electromechanical actuator for interior sliding doors
Special uses	disabled use
Stroke control	encoder
Maximum capacity	60 kg (1 wing) 80 kg (2 wings)
Service class	4 - intensive
Power supply	230 V AC / 50-60 Hz
Power input	0.2 A
Torque / Thrust	30 N
Opening speed	0.4 m/s (1 wing) 0.8 m/s (2 wings)
Closing speed	0.2 m/s (1 wing) 0.4 m/s (2 wings)
Maximum opening width	
Anti-panic system	CIVIK LA
Operating temperature	-20°C / +55°C
Protection rating	IP 20
Product dimensions mm (H x D x L)	75 x 130 x L
Control panel	EL06A (built-in)

	EL06A
Description	control panel for 1 motor 24 V DC
Mains power supply	230 V AC / 50-60 Hz
Energy saving 	energy saving when in stand-by and during use
Number of motors	1
Motor power supply	24 V DC / 1.8 A
Accessories power supply	24 V DC / 0.3 A
Electrolock	24 V DC / 0.5 A
Kinematic management with Encoder	■
Obstacle detection (causes stop when opening or reverse when closing)	■
Push opening (PUSH&GO)	■
Push closing (PUSH&GO)	■
Independent open control	■
Independent close control	■
Timer-controlled automatic closing	0 - 30 s
Monitored emergency reverse	■

When building the system, only use Ditec accessories and safety devices.

Every Ditec automation features CE marking and is designed and built in compliance with the safety requirements of the Machinery Directive (2006/42/EC), of the Electromagnetic Compatibility Directive (2014/30/EU) and of the Low Voltage Directive (2014/35/EU) and of other Directives, laws, specific standards for special products and situations.

The Company reserves the right to make changes which may improve the products.

For this reason, the technical details given are not binding.

Pictures were taken with the consent of those concerned or in public locations.

Further information can be found in the Technical Manuals available at the website: www.ditecentrematic.com

ENTREMATIC



Entrematic Italy S.p.A.

Largo U. Boccioni, 1 • 21040 Origgio (VA) • Italy

Tel +39 02 963911 • Fax: +39 02 9650314

ditec@entrematic.com

www.ditecentrematic.com • www.entrematic.com

Cod. P224B - 02/2018

Ditec Civik
gdp milano 177865

Present in: France, Germany, Spain, Turkey and Canada.

For addresses and contact information see our website www.ditecentrematic.com

